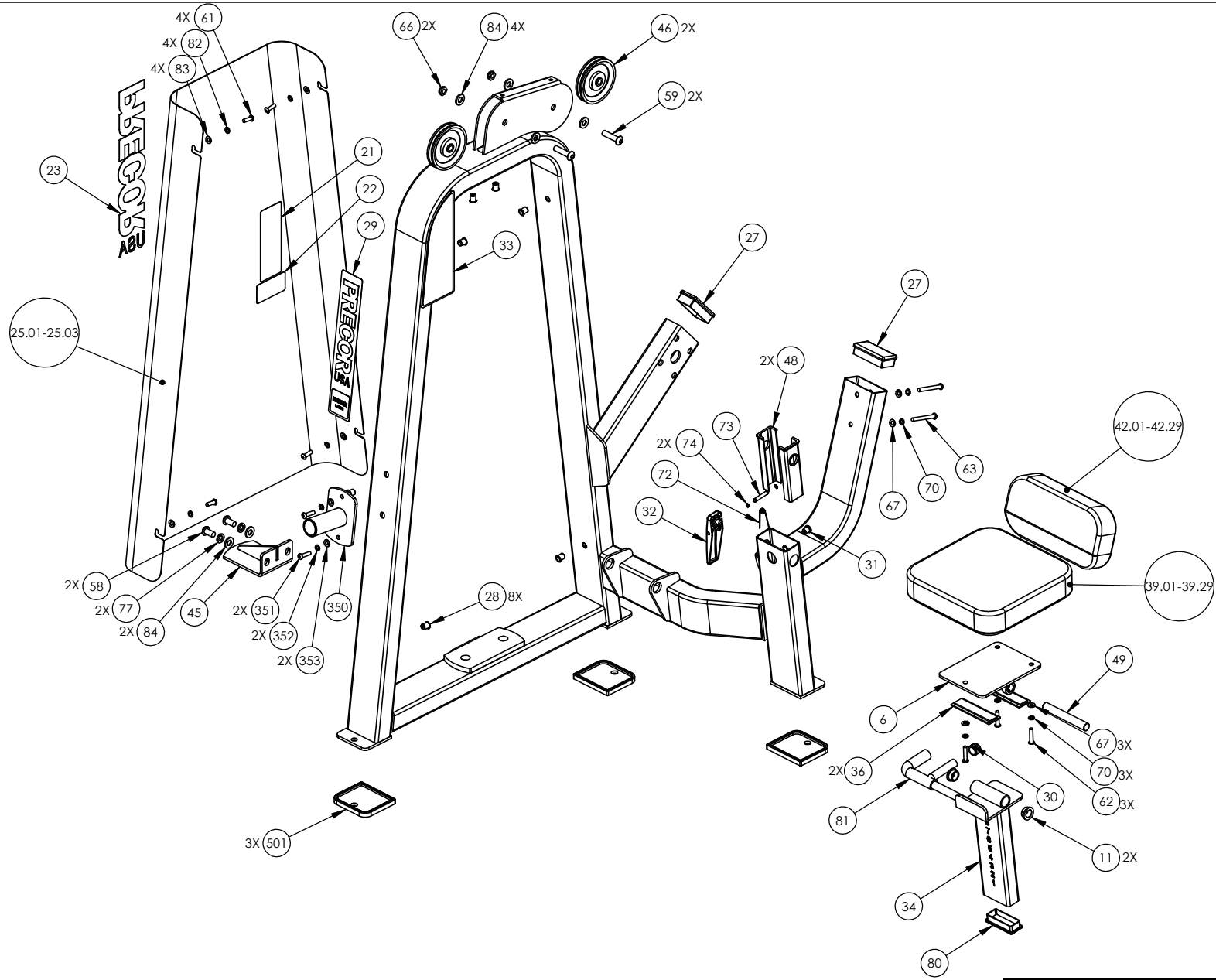
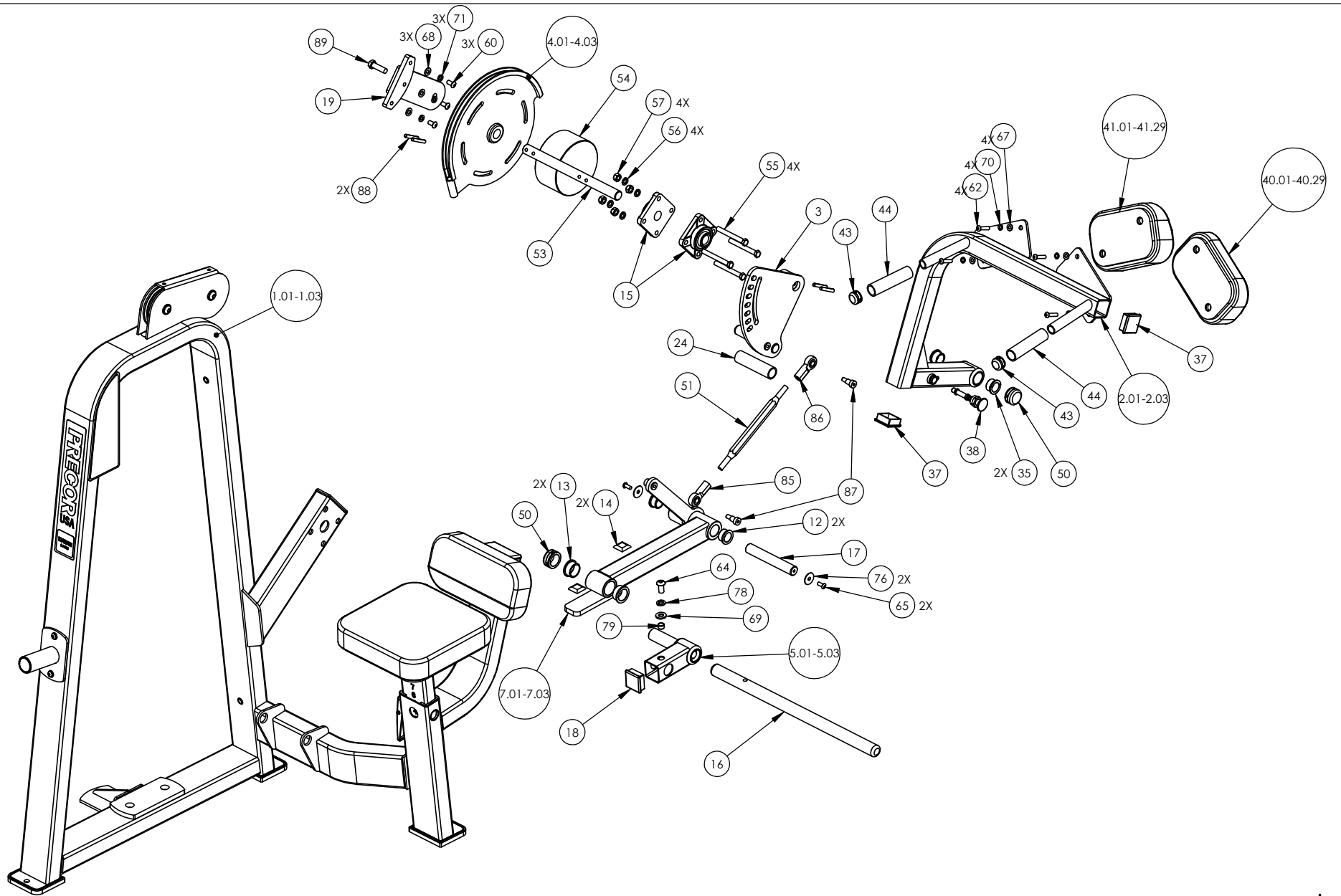


CW712KS	P/N: CW32861-101	SUBREV: C
DRAWN BY: VLE	DATE: 08.05.09	SHEET 1 OF 4

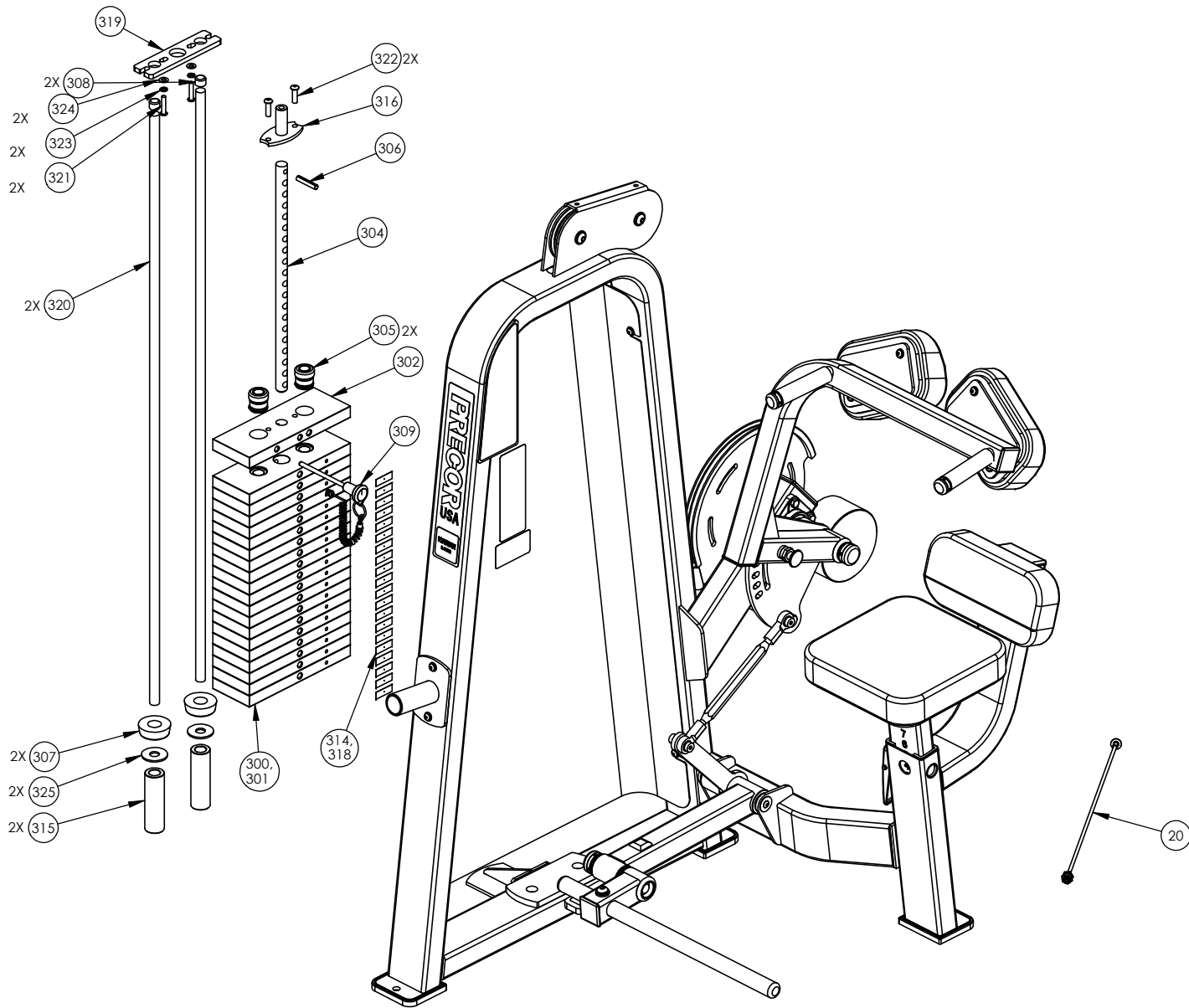


CW712KS	P/N: CW32861-101	SUBREV: C
DRAWN BY: VLE	DATE: 08.05.09	SHEET 2 OF 4





CW712KS	P/N: CW32861-101	SUBREV: C
DRAWN BY: VLE	DATE: 08.05.09	SHEET 3 OF 4



CW712KS	P/N: CW32861-101	SUBREV: C
DRAWN BY: VLE	DATE: 08.05.09	SHEET 4 OF 4

## 712KS Ab Isolator

Part Number	Description	Bubble Number
CW32830-211	WELDMENT, FRAME, MAIN, CW712KS, SKY	1.01
CW32830-321	WELDMENT, FRAME, MAIN, CW712KS, TIT	1.03
CW32831-211	WELDMENT, ARM, UPPER, CW712KS, SKY	2.01
CW32831-321	WELDMENT, ARM, UPPER, CW712KS, TITA	2.03
CW33165-721	ASSY, SELECTOR, CW712KS, WRINKLE BL	3
CW32912-721	ASSY, SMALL CAM, CW, WRINKLE BLK	4.01
CW32912-321	ASSY, SMALL CAM, CW, TITANIUM (HG)	4.03
CW712SA5-211	ASSY,FOOTBAR ADJ LINK,712,SKY WHITE	5.01
CW712SA5-321	ASSY,FOOTBAR ADJ LINK,712,TITANIUM	5.03
CW712SA6-721	ASSY, PAD PIVOT, 712, WRINKLE BLACK	6
CW33168-211	ASSY, FOOT REST, CW712KS, SKY WHITE	7.01
CW33168-321	ASSY, FOOT REST, CW712KS, TITANIUM,	7.03
CW10433-109	BUSHING,FLNGD,1ODX.75IDX.5,IGUS R	11
CW10433-111	BSHNG,FLNGD,1.5ODX1.25IDX.75,IGUS R	12
CW10433-110	BUSHING,FLNGD,1.25ODX1IDX.75,IGUS R	13
CW12575-101	MOULDED BUMPON, BLACK, 31.75MM SQ (	14
CW12405-101	PILLOW BLOCK, BEARING, FLANGE, 4 BO	15
CWPF1494-731	BAR, STEEL, ROUND DIA 1.25 X 23.25,	16
CW32761-731	BAR, STEEL, RND	17
CW11311-103	ENDCAP, REC TUBE, 2X2, BLK PLASTIC	18
CW33200-721	WELDMENT, COUNTERBALANCE SUPPORT AR	19
CWCLGH079-000	ASSY, CABLE, CW712KS	20
CW30010-102	LABEL,WARNING STRENGTH	21
CW30011-102	LABEL,WARNING WEIGHT STACK	22
CWGR4604-750	GRIP, RUBBER, 1.00" OD HANDLE, 4.75	24
CW32091-211	ASSY, SHROUD, #5, SKY WHITE	25.01
CW32091-301	ASSY, SHROUD, #5, CUSTOM	25.02
CW32091-321	ASSY, SHROUD, #5, TITANIUM, HG	25.03
CW11311-102	ENDCAP, REC TUBE, 2X4, BLK PLASTIC	27
CW12537-109	NUT,INSERT,THIN-NUT,LARGE FLANGE	28
CW31756-101	LABEL, PRECOR USA ICARIAN LINE	29
CWAC220-901	HANDLE END CAP W/SET SCREWS, DIA 3/	30
CW31784-731	STOP PLUG, BLK ZN	31
CW32460-221	ASSY, RATCHETING LEVER, BLACK	32
CW33429-101	ASSY, PLACARD, 712KS	33
CW32216-712	ASSEMBLY, SEAT ADJUSTMENT SWIVELING	34
CW10043-134	BUSHING, BRONZE, 1" ID X 1 1/4" OD	35
CW33586-101	ASSY, ABS BLACK, 1/8 X 1 1/2 X 5, W	36
CW11311-103	ENDCAP, REC TUBE, 2X2, BLK PLASTIC	37
CW30501-752	ASSY, POP PIN, LONG, 0.450 DIA NOSE	38
CWPD1111B-101	PAD,12X12,3HOLES,W/BP,BLACK	39.01
CWPD1122LB-101	PAD,6X9,2HLS,LEFT,W/BP,BLACK	40.01
CWPD1123B-101	PAD,6X12,2HOLES,W/BP,BLACK	42.01
CWAC218-901	HANDLE END CAP W/SET SCREWS, DIA 1"	43
CWGR4605-000	GRIP, RUBBER, 1.00" OD HANDLE, 5.00	44
CW33286-731	WELDMENT, STABILITY FOOT,BLACK ZINC	45
CWAC1009-101	PULLEY, 4 1/2 DIA X 1/2 ID	46
CWAC1236-104	GUIDE INSERT, PLASTIC WITH HOLE, BL	48

CWPF1366-732	BAR,STEEL,RND,DIA. .750 X 5.50, BLK	49
CWAC221-901	SHAFT END CAP W/SET SCREWS, DIA 1 1	50
CWPF1136-731	LINK ARM, 11", W/ THRD ENDS, 712, B	51
CWAC222-901	ASSY, SHAFT END CAP W/SET SCREWS, D	52
CW32594-732	BAR, STEEL, RND, .998 DIA X 13.25,	53
CWPF3450-721	BAR, RND, DIA 6" X 3, 1 HOLE TAPPE	54
CWHCYN044-375	SCREW, HEX HEAD, BLK XYLAN, 7/16-	55
CWWALYN044-011	WASHER, SPLIT, 7/16 ID, BLK XYLAN	56
CWKMYN044-038	NUT, HEX, UNC, 7/16-14, BLK XYLAN	57
CWTAYN050-100	SCREW, BUTTON HEAD, BLK XYLAN, 1/2	58
CWTAYN050-200	SCREW, BUTTON HEAD, BLK XYLAN, 1/2	59
CWTAYN038-075	SCREW, BUTTON HEAD, BLK XYLAN, 3/8	60
CWTAYN031-100	SCREW, BUTTON HEAD, BLK XYLAN, 5/16	61
CWTAYN031-150	SCREW, BUTTON HEAD, BLK XYLAN, 5/16	62
CWTAYN031-300	SCREW, BUTTON HEAD, BLK XYLAN, 5/16	63
CWTAYN050-100	SCREW, BUTTON HEAD, BLK XYLAN, 1/2	64
CWTAYN031-050	SCREW, BUTTON HEAD, BLK XYLAN, 5/16	65
CWKAYN050-031	LOCKNUT, NYLON INSERT, HALF, UNC, 1	66
CWWBKN031-007	WASHER, FLAT, TYPE A, SAE, 5/16 ID	67
CWWBKN038-007	WASHER, FLAT, TYPE A, SAE, 3/8 ID	68
CWWBKN050-010	WASHER, FLAT, TYPE A, SAE, 1/2 ID X	69
CWWALYN031-008	WASHER, SPLIT, 5/16 ID, BL	70
CWWALYN038-009	WASHER, SPLIT, 3/8 ID, BLK XYLAN	71
CW12634-101	SPRING, TORSION 90 DEG X 0.484 X 0.	72
CW31770-742	LATCH PIVOTING PIN, CLR ZN	73
CWWALYN050-013	WASHER, SPLIT, 1/2 ID, BLK XYLAN	73
CWFA1123-901	SPACER, STEEL,5/8 OD X 1/2 ID X 3/8	74
CWAMNN028-003	RING, RETAINING, 2-TURN, SPIRAL, SS	74
CWWABKN031-007	WASHER, FENDER,BLK ZN, 5/16 ID X 1	76
CWWALYN050-013	WASHER, SPLIT, 1/2 ID, BLK XYLAN	77
CW12633-101	ENDCAP, REC TUBE, LDP, 1 1/2 X 3 1	80
CWGR4805-000	GRIP, RUBBER, .75" OD HANDLE, 5.00"	81
CWWALYN031-008	WASHER, SPLIT, 5/16 ID, BL	82
CWWBKN031-007	WASHER, FLAT, TYPE A, SAE, 5/16 ID	83
CWWBKN050-010	WASHER, FLAT, TYPE A, SAE, 1/2 ID X	84
CWAC1133-101	BUSHING, WEIGHT PLATE, LDPE PLASTIC	203
CW10519-721	PLATE, WEIGHT, 20 LBS, WRKL BLK	279
CW10510-721	ASSY, PLATE, WEIGHT, 10 LBS, WRKL B	300
CW10520-721	ASSY, PLATE, WEIGHT, 20 LBS, WRKL B	301
CW30132-712	SELECTOR STEM, 20 PLATE,0.875 DIA,	304
CW30184-902	ASSY,BARREL,TOP PLATE,ALUMINUM	305
CWLDNN038-200	SLOTTED PIN SPRING, DIA 3/8 X 2	306
CW12402-101	BUMPER, ID 1.050, BLK RUBBER	307
CW12404-101	CAP, GUIDE ROD,DIA 3/4, BLK	308
CW33870-102	ASSEMBLY, 5" WEIGHT STACK PIN & LEA	309
CW32936-101	WEIGHT STACK LABELS, 10-200, STRAIG	314
CW33323-721	STACK RISER, 5 INCH, WRINKLE BLACK	315
CW32663-741	WELDMENT, BOLT ON TOP PLATE MINI ST	316
CWPF1016-732	BAR,,FLAT CR/HR, 3/8 X 2 X 8 1/4, 3	319
CWPF1214-711	GUIDE ROD,STEEL,OD 3/4 X 52 5/8, CH	320
CWTAYN031-150	SCREW, BUTTON HEAD, BLK XYLAN, 5/16	321
CWTAYN038-125	SCREW, BUTTON HEAD, BLK XYLAN, 3/8	322

CWWALYN031-008	WASHER, SPLIT, 5/16 ID, BL	323
CWWBKN031-007	WASHER, FLAT, TYPE A, SAE, 5/16 ID	324
CWWCKN075-015	WASHER, FLAT, TYPE A, WIDE, 3/4 ID	325
CW32937-101	WEIGHT STACK LABELS, 10-250, STAGGE	333
CW31772-741	ASSY, ADD-ON WEIGHT HORN, CLEAR ZIN	350
CWAC1177-101	FLOOR PROTECTOR, RUBBER, 4.563 X 4.	501
CW58004-101	WEIGHT STACK BUSHING KIT, KS SERIES	600
CW32537-102	LITERATURE KIT, GSM ONLY	999